

智明電子股份有限公司規格承認書

CHIMING ELECTRONICS CORP SPECIFICATION FOR APPROVAL

住址: 30271 新竹縣竹北市復興二路 229 號 9 樓之 1

Addr: 30271 Rm. 1, 9F., No.229, Fuxing 2nd Rd., Zhubei City, Hsinchu County 302, Taiwan (R.O.C.)

Tel: 886-03-6587785 OR 03-6587781 Fax: 886-03-6578598

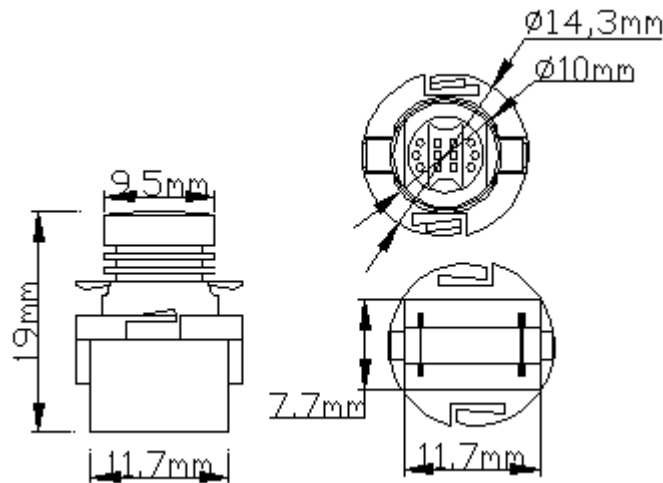
E-mail: att2278@ms71.hinet.net [Http://www.chi-ming.com](http://www.chi-ming.com)

DESCRIPTION:

(A) Electronics and Optical Characteristics: Ta=25°C

PART NO	Emitting Color	Forward Voltage (DC)	Totality Luminous Intensity	Efficacy	Dominant Wavelength	Color Temperature	Single LED Intensity	Viewing Angle
B10D-1HP6		Unit: V	Unit: LM Error margin: ±5%	Unit: LM/W	Unit: nm	Unit: K	Unit: mcd (0.5m)	Unit: deg
R	Super Red	15	7.8227	15.8	626.1~640	1001	1071	171.2
Y	Super Yellow	15	9.7700	27.71	596.7~600	1351	1862	144.1
Test Condition		Power:0.525W			Current:35±10%mA			
G	Ultra Green	15	12.658	21.10	525~530.4	7524	2369	123.3
B	Ultra Blue	15	4.9269	7.82	460~464.5	>=100000	953	114
W	Super White	15	32.026	53.38	X:0.289 Y:0.291	8997	6429	110.5
Test Condition		Power:0.6W			Current:40±10%mA			

Figure:



(B) Absolute Maximum Ratings AT Ta=25°C

PARAMETER	MAX	UNIT
Continuous Forward Current		mA
Peak Forward Current (1/10 Duty Cycle 0.1ms Pulse Width)		mA
Reverse Voltage		V
Operating Temperature Range	-20°C to +50°C	
Storage Temperature Range	-40°C to +100°C	
Lead Solder Temperature 1.6mm Below Package 260°C For 5 seconds		

APPROVED & CHECKED BY: LaiChongJian Tested By: LaiChongJian Date: 2009/09/16